

Flange Units

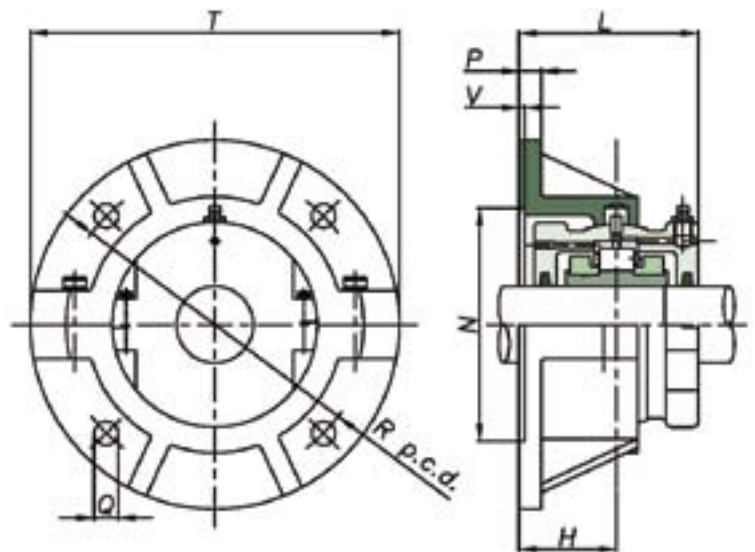
When faced with flat horizontal or vertical faces, flange units offer a simple mounting solution. As with Pillow block supports, Flange units are produced with spherical location to accommodate standard bearing housings and provide easy initial alignment of shaft and equipment.

To facilitate positive location of the flange to the surface, the rear face is recessed (dimensions N & V). This allows for a spigot (Tolerance f8) to be located into the flange.

Bearing inspection is simply a matter of removing the top half of the flange and housing. Bearing replacement may also be achieved in the same manner if required.

When integrating flange units into new applications, it should be noted that a maximum radial load equivalent to $0.26C_{or}$ is permissible. A maximum axial load of $0.25C_a$ must also be taken into account for applications with thrust loading. Units for vertically oriented shafts may also need special consideration given to sealing arrangements.

As always, SRB Technical Services will be happy to advise on any application issues.



Light Support

40mm - 300mm Flanges

Light Series 40mm - 300mm Flanges

Shaft (d) mm	inch	Flange Reference	T	Bolts	R	P	H	N	V	L
35	13/16	F01	204	4 x M12	164	13	51	119.06	3	94
40	11/4		8.0		6.5	0.5	2.0	4.687	0.1	3.7
45	111/16	F02	216	4 x M12	180	13	57	136.52	3	106
50	13/4		8.5		7.1	0.5	2.2	5.375	0.1	4.2
55	23/16	F03	260	4 x M12	218	16	67	166.96	3	120
60	21/4		10.2		8.6	0.6	2.6	571	0.1	4.7
65	27/16		21/2							
70	211/16	F04	286	4 x M12	242	16	73	192.09	3	130
75	23/4		11.3		9.5	0.6	2.9	7.563	0.1	5.1
80	215/16		3							
85	33/16	F05	330	4 x M16	274	19	79	215.98	3	148
90	31/4		13.0		10.8	0.7	3.1	500	0.1	5.8
	37/16									
100	311/16	F06	356	4 x M16	302	19	86	244.47	3	154
105	33/4		14.0		11.9	0.7	3.4	9.625	0.1	6.1
	315/16		4							
110	43/16	F07	382	4 x M16	334	22	92	276.22	3	164
115	41/4		15.0		13.1	0.9	3.6	10.875	0.1	6.5
	47/16									
120	411/16	F08	432	4 x M24	374	22	98	314.32	3	176
125	43/4		17.0		14.7	0.9	3.9	12.375	0.1	6.9
130	415/16		5							
135	53/16	F09	444	4 x M24	384	25	98	317.51	3	182
140	51/4		17.5		15.1	1.0	3.9	2.500	0.1	7.2
	57/16									
150	511/16	F10	470	4 x M24	412	25	114	346.07	3	202
155	53/4		18.5		16.2	1.0	4.5	13.625	0.1	8.0
160A	515/16		6							
160	67/16	F11	496	4 x M24	426	25	105	352.42	3	202
170A	61/2		19.5		16.8	1.0	4.1	13.875	0.1	8.0
170	611/16	F12	508	4 x M24	438	29	108	365.12	3	208
175	63/4		20.0		17.2	1.1	4.3	14.375	0.1	8.2
180	615/16		7							
190	71/4	F13	534	4 x M24	474	32	108	400.05	3	208
200	71/2		21.0		18.7	1.3	4.3	15.750	0.1	8.2
	715/16		8							
220	81/2	F14	584	4 x M30	512	35	117	431.81	3	226
230	87/8		23.0		20.2	1.4	4.6	7.000	0.1	8.9
	9									
240	91/2	F15	610	4 x M30	542	35	117	463.55	3	228
250	93/4		24.0		21.3	1.4	4.6	18.250	0.1	9.0
	10									
260	101/2	F16	660	4 x M30	584	38	124	504.82	3	240
270	103/4		26.0		23.0	1.5	4.9	19.875	0.1	9.4
280	11									
300	111/2	F17	712	4 x M30	626	38	133	539.75	3	258
305	12		28.0		24.6	1.5	5.2	21.250	0.1	10.2