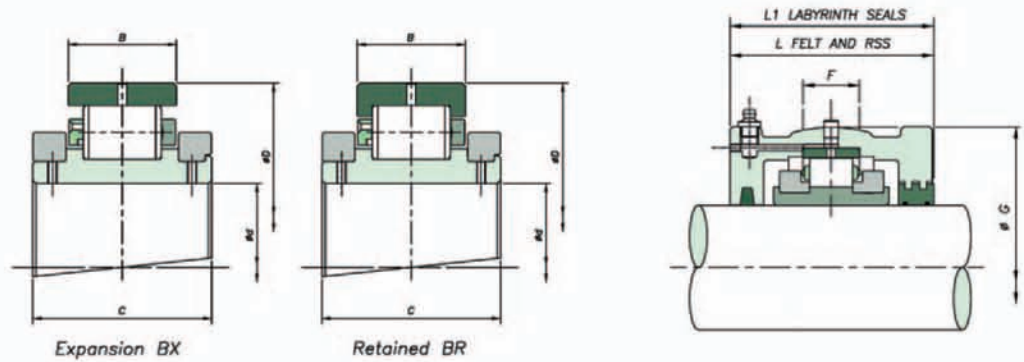


Light Bearing & Housing 160mm to 340mm



Shaft (d)		Reference		Bearings Ratings					Housing Reference							
mm	inch	Add BR for retained	Add BX for expansion	Dynamic C _r	Static C _{or}	Axial C _a	Max RPM	D	B	C	Add HR for retained	Add HX for expansion	G	F	L	L ₁
		e.g. LSM35BR		(kN/lb)	(kN/lb)	(kN/lb)					e.g. LSM35HR					
160	6 7/16	LSM160	LSE607	583	792	33.00	1320	273.05	60.30	109.00	LSM160	LSE607	311.15	76	172	192
170A	6 1/2	LSM170A	LSE608	131064	178049	7419		10.750	2.374	4.291	LSM170A	LSE608	12.250	3.0	6.8	7.6
170	6 11/16	LSM170	LSE611								LSM170	LSE611				
175	6 3/4	LSM175	LSE612	524	828	36.40	1220	285.75	55.50	109.00	LSM175	LSE612	323.85	70	172	200
180	6 15/16	LSM180	LSE615	117800	186142	8183		11.250	2.185	4.291	LSM180	LSE615	12.750	2.8	6.8	7.9
	7		LSE700									LSE700				
	7 1/4		LSE704									LSE704				
190	7 1/2	LSM190	LSE708	614	990	41.00	1070	311.15	60.30	106.00	LSM190	LSE708	358.78	86	172	200
200	7 15/16	LSM200	LSE715	138033	222561	9217		12.250	2.374	4.173	LSM200	LSE715	14.125	3.4	6.8	7.9
	8		LSE800									LSE800				
220	8 1/2	LSM220	LSE808	659	1062	49.00	930	342.90	63.50	115.00	LSM220	LSE808	387.35	82	178	216
230	8 7/8	LSM230	LSE814	148149	238747	11016		13.500	2.500	4.528	LSM230	LSE814	15.250	3.2	7.0	8.5
	9		LSE900									LSE900				
240	9 1/2	LSM240	LSE908	696	1182	57.80	820	374.65	66.70	122.00	LSM240	LSE908	419.10	90	188	222
250	9 3/4	LSM250	LSE912	156467	265724	12994		14.750	2.626	4.803	LSM250	LSE912	16.500	3.5	7.4	8.7
	10		LSE1000									LSE1000				
260	10 1/2	LSM260	LSE1008	794	1376	66.80	730	406.40	69.00	128.00	LSM260	LSE1008	454.00	95	204	232
270	10 3/4	LSM270	LSE1012	178498	309337	15017		16.000	2.717	5.039	LSM270	LSE1012	17.874	3.7	8.0	9.1
280	11	LSM280	LSE1100								LSM280	LSE1100				
300	11 1/2	LSM300	LSE1108	929	1665	78.20	650	438.15	74.60	143.00	LSM300	LSE1108	489.00	98	216	248
305	12	LSM305	LSE1200	208848	374307	17580		17.250	2.937	5.630	LSM305	LSE1200	19.252	3.9	8.5	9.8
320	12 1/2	LSM320	LSE1208	920	1674	89.00	590	463.55	74.60	136.00	LSM320	LSE1208	520.70	95	260	-
330	13	LSM330	LSE1300	206824	376330	20008		18.250	2.937	5.354	LSM330	LSE1300	20.500	3.7	10.2	-
340	14	LSM340	LSE1400	967	1824	99.60	540	488.95	74.60	136.00	LSM340	LSE1400	546.10	98	260	-
350		LSM350		217390	410052	22391		19.250	2.937	5.354	LSM350		21.500	3.9	10.2	-