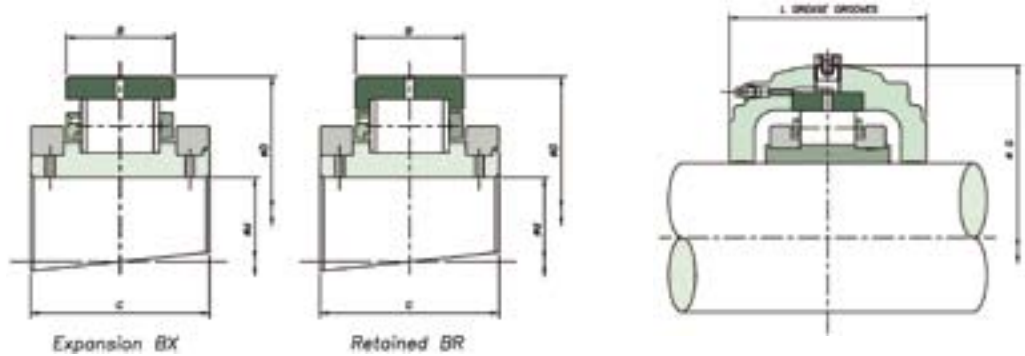
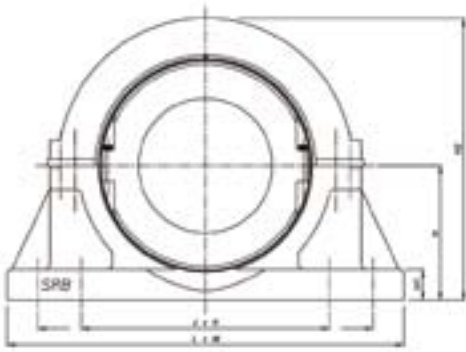


Light Bearing & Housing 360mm to 600mm



Shaft (d)		Reference	Bearings Ratings							Housing Reference					
mm	inch	Add BR for retained Add BX for expansion e.g. LSM35BR	Dynamic C _r (kN/lb)	Static C _{0r} (kN/lb)	Axial C _a (kN/lb)	Max RPM	D	B	C	Add HR for retained Add HX for expansion e.g. LSM35HR	G	F	L	L ₁	
360	15	LSM360	1011	1975	110.40	500	520.70	76.20	140.00	LSM360	LSE1500	571.50	98	260	-
380		LSM380	227282	443998	24819		20.500	3.000	5.512	LSM380		22.500	3.9	10.2	-
400	16	LSM400	1054	2125	115.60	460	546.10	76.20	140.00	LSM400	LSE1600	603.30	102	280	-
			236949	477719	25988		21.500	3.000	5.512			23.752	4.0	11.0	-
420	17	LSM420	1095	2275	121.00	430	571.50	76.20	140.00	LSM420	LSE1700	628.70	102	292	-
			246166	511440	27202		22.500	3.000	5.512			24.752	4.0	11.5	-
440	18	LSM440	1134	2427	127.20	410	596.90	76.20	140.00	LSM440	LSE1800	650.90	108	304	-
460		LSM460	254933	545611	28596		23.500	3.000	5.512	LSM460		25.626	4.3	12.0	-
480	19	LSM480	1291	2800	132.60	380	628.65	81.00	144.00	LSM480	LSE1900	682.60	108	304	-
			290228	629465	29810		24.750	3.189	5.669			26.874	4.3	12.0	-
500	20	LSM500	1336	2974	137.80	360	654.05	80.20	168.00	LSM500	LSE2000	717.60	114	304	-
			300345	668582	30979		25.750	3.157	6.614			28.252	4.5	12.0	-
530	21	LSM530	1377	3150	140.60	340	692.15	81.00	168.00	LSM530	LSE2100		114	330	-
			309562	708148	31608		27.250	3.189	6.614				4.5	13.0	-
560	22	LSM560	1419	3324	142.40	330	717.55	81.00	168.00	LSM560	LSE2200		114	336	-
			319004	747265	32013		28.250	3.189	6.614				4.5	13.2	-
580	23	LSM580	1591	3759	144.00	310	749.00	84.10	172.00	LSM580	LSE2300		120	342	-
			357671	845057	32372		29.488	3.311	6.772				4.7	13.5	-
600	24	LSM600	1638	3956	146.80	300	774.70	84.10	172.00	LSM600	LSE2400		120	342	-
			368237	889344	33002		30.500	3.311	6.772				4.7	13.5	-

Light Support S20 - S29



S20 - S29

Shaft (d)		Support Reference	H	H ₁	H ₂	J x K	L x M	Bolts
mm	inch							
360	15	S20	397	60	795	676 x 166	902 x 254	4 x M36
380			15.630	2.4	31.3	26.6 x 6.5	35.5 x 10	
400	16	S21	432	67	865	724 x 166	940 x 254	4 x M36
			17.008	2.6	34.1	28.5 x 6.5	37 x 10	
420	17	S22	445	67	890	756 x 166	966 x 254	4 x M36
			17.520	2.6	35.0	29.8 x 6.5	38 x 10	
440	18	S23	464	70	925	788 x 190	1042 x 280	4 x M42
460			18.268	2.8	36.4	31 x 7.5	41 x 11	
480	19	S24	483	73	965	816 x 188	1092 x 304	4 x M42
			19.016	2.9	38.0	32.1 x 7.4	43 x 12	
500	20	S25	489	76	980	844 x 216	1092 x 304	4 x M42
			19.252	3.0	38.6	33.2 x 8.5	43 x 12	
530	21	S26	533	80	1065	904 x 206	1194 x 304	4 x M42
			20.984	3.1	41.9	35.6 x 8.1	47 x 12	
560	22	S27	552	83	1110	936 x 206	1220 x 304	4 x M42
			21.732	3.3	43.7	36.9 x 8.1	48 x 12	
580	23	S28	578	83	1156	1080 & 877 x 220	1372 x 304	8 x M36
			22.756	3.3	45.5	42.5 & 34.5 x 8.7	54 x 12	
600	24	S29	597	90	1200	1118 & 908 x 200	1372 x 304	8 x M36
			23.504	3.5	47.2	44 & 35.7 x 7.9	54 x 12	