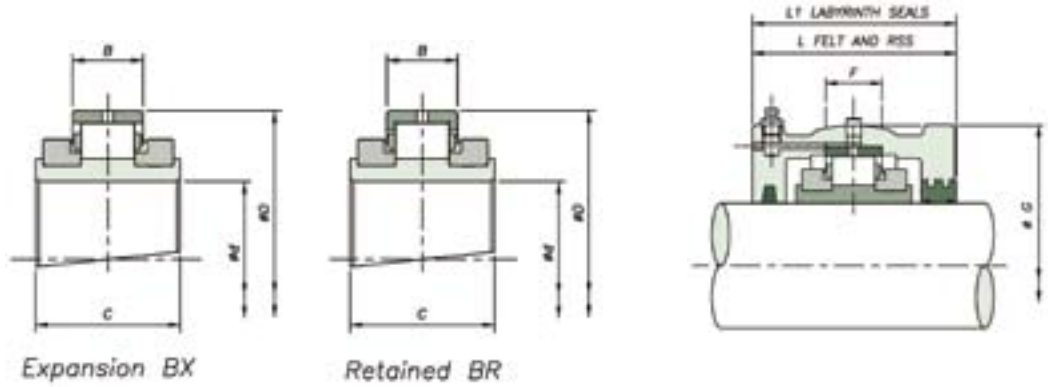
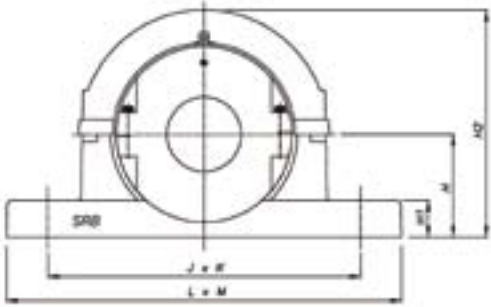


Light Bearing & Housing 40mm to 150mm



Shaft (d)		Reference	Bearings Ratings							Housing Reference						
mm	inch	Add BR for retained Add BX for expansion e.g. LSM35BR	Dynamic C _r (kN/lb)	Static C _{0r} (kN/lb)	Axial C _a (kN/lb)	Max RPM	D	B	C	Add HR for retained Add HX for expansion e.g. LSM35HR	G	F	L	L ₁		
35	13/16	LSM35	LSE103	65	68	3.20	5400	84.14	23.80	55.00	LSM35	LSE103	100.00	25	84	86
	11/4		LSE104									LSE104				
40	17/16	LSM40	LSE107	14613	15287	719.38	5400	3.313	0.937	2.165	LSM40	LSE107	3.937	1.0	3.3	3.4
	11/2		LSE108									LSE108				
45	111/16	LSM45	LSE111	83	87	3.60	4630	98.42	25.40	60.00	LSM45	LSE111	117.48	25	96	98
	13/4		LSE112									LSE112				
50	115/16	LSM50	LSE115	18659	19558	809.30	4630	3.875	1.000	2.362	LSM50	LSE115	4.625	1.0	3.8	3.9
	2		LSE200									LSE200				
55	23/16	LSM55	LSE203	103	115	5.40	3940	114.30	27.00	60.00	LSM55	LSE203	134.94	32	102	104
	21/4		LSE204									LSE204				
60	27/16	LSM60	LSE207	23155	25853	1213.95	3940	4.500	1.063	2.362	LSM60	LSE207	5.313	1.3	4.0	4.1
	21/2		LSE208									LSE208				
70	211/16	LSM70	LSE211	138	161	7.60	3310	133.35	31.80	65.00	LSM70	LSE211	157.16	38	11	114
	23/4		LSE212									LSE212				
75	215/16	LSM75	LSE215	31024	36194	1708.53	3310	5.250	1.252	2.559	LSM75	LSE215	6.187	1.5	24.4	4.5
	3		LSE300									LSE300				
80	33/16	LSM80	LSE303	187	231	12.40	2790	152.4	38.90	75.00	LSM80	LSE303	177.80	50	134	136
	31/4		LSE304									LSE304				
85	37/16	LSM85	LSE307	42039	51931	2787.59	2790	6.000	1.531	2.953	LSM85	LSE307	7.000	2.0	5.3	5.4
	31/2		LSE308									LSE308				
90	311/16	LSM90	LSE311	42039	51931	2787.59	2790	6.000	1.531	2.953	LSM90	LSE311	7.000	2.0	5.3	5.4
	31/2		LSE308									LSE308				
100	311/16	LSM100	LSE311	288	366	16.00	2340	174.62	45.30	85.00	LSM100	LSE311	203.20	50	132	134
	33/4		LSE312									LSE312				
105	315/16	LSM105	LSE315	64745	82280	3596.90	2340	6.875	1.783	3.346	LSM105	LSE315	8.000	2.0	5.2	5.3
	4		LSE400									LSE400				
110	43/16	LSM110	LSE403	316	427	18.60	1970	203.20	46.90	90.00	LSM110	LSE403	231.78	64	140	142
	41/4		LSE404									LSE404				
115	47/16	LSM115	LSE407	71040	95993	4181.39	1970	8.000	1.846	3.543	LSM115	LSE407	9.125	2.5	5.5	5.6
	41/2		LSE408									LSE408				
120	411/16	LSM120	LSE411	363	496	22.20	1740	222.25	54.00	95.00	LSM120	LSE411	266.70	76	154	156
	43/4		LSE412									LSE412				
125	415/16	LSM125	LSE415	81606	111505	4990.69	1740	8.750	2.126	3.740	LSM125	LSE415	10.500	3.0	6.1	6.1
	5		LSE500									LSE500				
130	53/16	LSM130	LSE503	81606	111505	4990.69	1740	8.750	2.126	3.740	LSM130	LSE503	10.500	3.0	6.1	6.1
	5		LSE500									LSE500				
135	51/4	LSM135	LSE503	422	585	25.80	1570	241.30	55.60	98.40	LSM135	LSE503	279.40	76	166	168
	51/4		LSE504									LSE504				
140	57/16	LSM140	LSE507	94869	131513	5799.99	1570	9.500	2.189	3.874	LSM140	LSE507	11.000	3.0	6.5	6.6
	51/2		LSE508									LSE508				
150	511/16	LSM150	LSE511	459	664	29.40	1450	254.00	55.60	98.40	LSM150	LSE511	295.28	82	172	174
	53/4		LSE512									LSE512				
155	53/4	LSM155	LSE512	103187	149273	6609.30	1450	10.000	2.189	3.874	LSM155	LSE512	11.625	3.2	6.8	6.9
	515/16		LSE515									LSE515				
160A	6	LSM160A	LSE600								LSM160A	LSE600				

Light Support S01 - S10



S01 - S10

Shaft (d) mm	inch	Support Reference	H	H ₁	H ₂	J x K	L x M	Bolts
35	13/16	S01	60	22	138	180	228 x 60	2 x M12
40	11/4		2.362	0.9	5.4	7.1	9 x 2.4	
	17/16							
	11/2							
45	111/16	S02	70	25	158	21	270 x 60	2 x M16
50	13/4		2.756	1.0	6.2	48.4	10.6 x 2.4	
	115/16							
	2							
55	23/16	S03	80	32	180	234	280 x 70	2 x M16
60	21/4		3.150	1.3	7.1	9.2	11 x 2.8	
65	27/16							
	21/2							
70	211/16	S04	95	38	208	270	330 x 76	2 x M20
75	23/4		3.740	1.5	8.2	10.6	13 x 3	
	215/16							
	3							
80	33/16	S05	112	44	252	320	380 x 90	2 x M24
85	31/4		4.409	1.7	9.9	12.6	15 x 3.5	
90	37/16							
	31/2							
100	311/16	S06	125	52	272	354	420 x 102	2 x M24
105	33/4		4.921	2.0	10.7	13.9	16.5 x 4	
	315/16							
	4							
110	43/16	S07	143	60	314	392	466 x 120	2 x M24
115	41/4		5.630	2.4	12.4	15.4	18.3 x 4.7	
	47/16							
	41/2							
120	411/16	S08	162	38	372	450 x 120	508 x 178	4 x M24
125	43/4		6.378	1.5	14.6	17.7 x 4.7	20 x 7	
130	415/16							
	5							
135	53/16	S09	181	40	405	482 x 120	558 x 178	4 x M24
140	51/4		7.126	1.6	15.9	19 x 4.7	22 x 7	
	57/16							
	51/2							
150	511/16	S10	181	40	415	496 x 120	558 x 178	4 x M24
155	53/4		7.126	1.6	16.3	19.5 x 4.7	22 x 7	
160A	515/16							
	6							