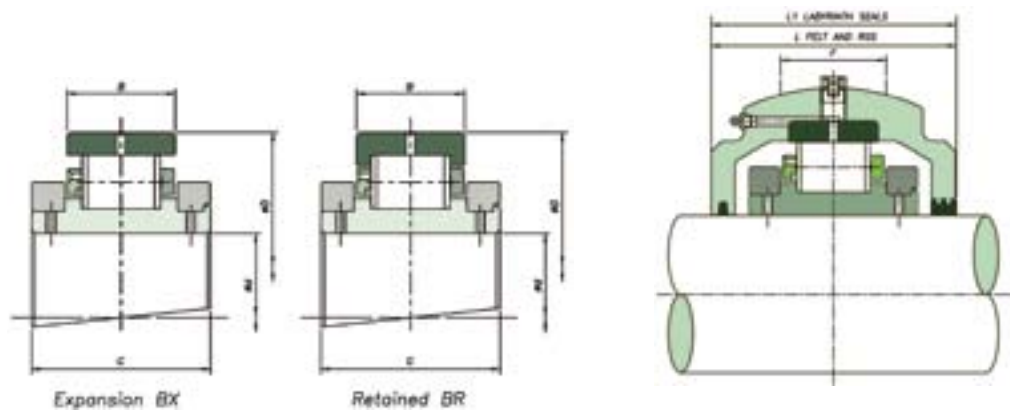
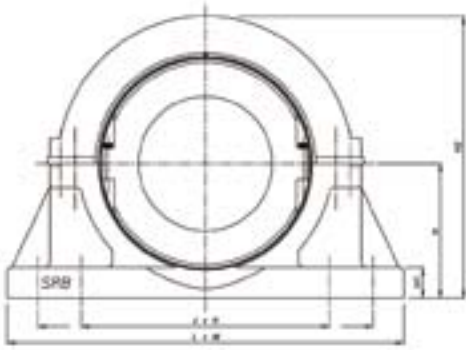


Medium Bearing & Housing 160mm to 340mm



Shaft (d)		Reference		Bearings Ratings						Housing Reference						
mm	inch	Add BR for retained Add BX for expansion e.g. MSM160BR		Dynamic C _r (kN/lb)	Static C _{or} (kN/lb)	Axial C _a (kN/lb)	Max RPM	D	B	C	Add HR for retained Add HX for expansion e.g. MSM160HR	G	F	L	L ₁	
160	6 7/16	MSM160	MSE607	842	1175	61.40	1200	317.50	83.30	140.00	MSM160	MSE607	368.30	95	206	232
170	6 1/2	MSM170	MSE608	189289	264151	13803		12.500	3.280	5.512	MSM170	MSE608	14.500	3.7	8.1	9.1
	6 11/16		MSE611									MSE611				
175	6 3/4	MSM175	MSE612	927	1357	71.20	1120	330.20	83.30	140.00	MSM175	MSE612	381.00	95	222	242
180	6 15/16	MSM180	MSE615	208398	305066	16006		13.000	3.280	5.512	MSM180	MSE615	15.000	3.7	8.7	9.5
	7		MSE700									MSE700				
	7 1/4		MSE704									MSE704				
190	7 1/2	MSM190	MSE708	101	1516	80.00	960	368.30	90.50	156.00	MSM190	MSE708	425.50	105	235	258
200	7 15/16	MSM200	MSE715	3227732	340810	17985		14.500	3.563	6.142	MSM200	MSE715	16.752	4.1	9.3	10.2
	8		MSE800									MSE800				
	8 1/2		MSE808									MSE808				
220	8 7/8	MSM220	MSE814	113	1668	89.80	850	393.70	90.50	163.00	MSM220	MSE814	457.20	110	242	274
230	9	MSM230	MSE900	8255833	374981	20188		15.500	3.563	6.417	MSM230	MSE900	18.000	4.3	9.5	10.8
	9 1/2		MSE908									MSE908				
240	9 3/4	MSM240	MSE912	124	1882	98.80	750	431.80	96.80	170.00	MSM240	MSE912	495.30	118	248	280
250	10	MSM250	MSE1000	0278763	423091	22211		17.000	3.811	6.693	MSM250	MSE1000	19.500	4.6	9.8	11.0
	10 1/2		MSE1008									MSE1008				
270	10 3/4	MSM270	MSE1012	147	2357	113.80	670	463.55	101.60	186.00	MSM270	MSE1012	527.10	130	264	300
280	11	MSM280	MSE1100	6331818	529875	25583		18.250	4.000	7.323	MSM280	MSE1100	20.752	5.1	10.4	11.8
	11 1/2		MSE1108									MSE1108				
300	12	MSM300	MSE1200	156	2607	129.00	610	495.30	103.20	193.00	MSM300	MSE1200	552.50	128	268	306
305		MSM305	MSE1208	9352725	586077	29000		19.500	4.063	7.598	MSM305	MSE1208	21.752	5.0	10.6	12.0
	12 1/2		MSE1208									MSE1208				
320	13	MSM320	MSE1300	172	2922	144.20	550	527.05	106.40	192.00	MSM320	MSE1300	587.40	128	298	324
330		MSM330	MSE1400	3387346	656892	32417		20.750	4.189	7.559	MSM330	MSE1400	23.126	5.0	11.7	12.8
	13 1/2		MSE1400									MSE1400				
340	14	MSM340	MSE1400	198	3403	159.20	500	565.15	115.90	200.00	MSM340	MSE1400	628.70	146	305	336
360		MSM360	MSE1400	9447145	765025	35790		22.250	4.563	7.874	MSM350	MSE1400	24.752	5.7	12.0	13.2

Medium Support S32 - S40



S32 - S40

Shaft (d) mm	inch	Support Reference	H	H ₁	H ₂	J x K	L x M	Bolts
160	6 ⁷ / ₁₆	S32	267	44	535	448 x 172	596 x 242	4 x M30
170	6 ¹ / ₂		10.512	1.7	21.1	17.6 x 6.8	23.5 x 9.5	
175	6 ¹¹ / ₁₆	S33	273	44	545	458 x 166	636 x 242	4 x M30
180	6 ¹⁵ / ₁₆		10.748	1.7	21.5	18 x 6.5	25 x 9.5	
190	7 ¹ / ₄	S34	305	50	610	508 x 190	686 x 266	4 x M30
200	7 ¹ / ₂		12.008	2.0	24.0	20 x 7.5	27 x 10.5	
220	8 ¹ / ₂	S35	324	50	650	550 x 190	750 x 280	4 x M30
230	8 ⁷ / ₈		12.756	2.0	25.6	21.7 x 7.5	29.5 x 11	
240	9 ¹ / ₂	S36	356	54	710	596 x 204	812 x 292	4 x M36
250	9 ³ / ₄		14.016	2.1	28.0	23.5 x 8	32 x 11.5	
260	10							
270	10 ¹ / ₂	S37	378	60	760	736 & 534 x 254	914 x 330	8 x M30
280	10 ³ / ₄		14.882	2.4	29.9	29 & 21 x 10	36 x 13	
300	11 ¹ / ₂	S38	394	60	790	768 & 566 x 254	958 x 330	8 x M30
305	12		15.512	2.4	31.1	30.2 & 22.3 x 10	37.7 x 13	
320	12 ¹ / ₂	S39	419	64	840	812 & 610 x 210	1016 x 292	8 x M30
330	13		16.496	2.5	33.1	32 & 24 x 8.3	40 x 11.5	
340	14	S40	451	67	900	864 & 660 x 280	1092 x 368	8 x M36
360			17.756	2.6	35.4	34 & 26 x 11	43 x 14.5	