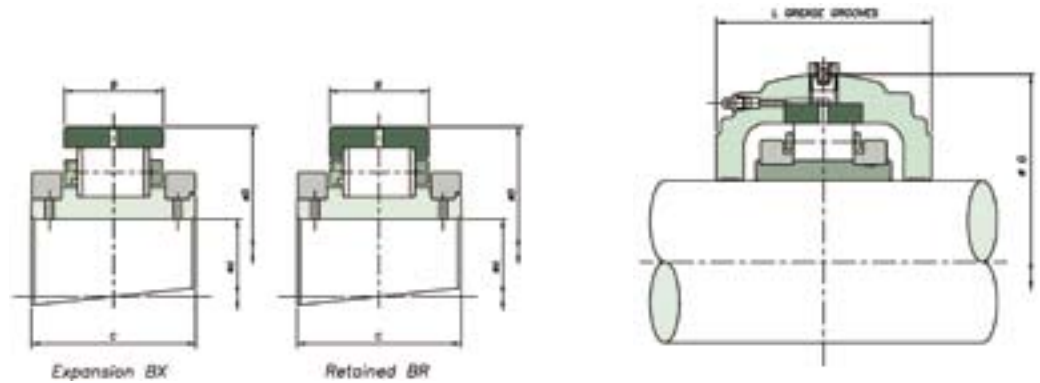
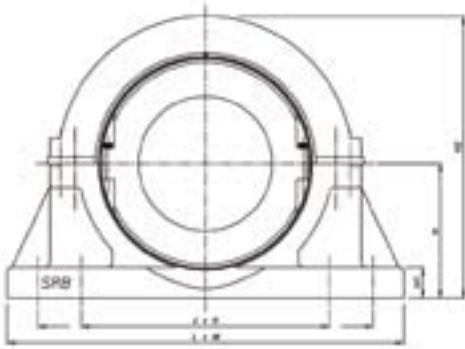


Medium Bearing & Housing 380mm to 600mm



Shaft (d)		Reference		Bearings Ratings						Housing Reference						
mm	inch	Add BR for retained Add BX for expansion e.g. MSM380BR		Dynamic C _r (kN/lb)	Static C _{0r} (kN/lb)	Axial C _a (kN/lb)	Max RPM	D	B	C	Add HR for retained Add HX for expansion e.g. MSM380HR		G	F	L	L ₁
380	15	MSM380	MSE1500	1800	3202	174.40	460	584.20	111.10	200.00	MSM380	MSE1500	647.70	146	305	336
				404656	719838	39207		23.000	4.374	7.874		25.500	5.7	12.0	13.2	
400	16	MSM400	MSE1600	2105	3793	188.40	430	615.95	115.90	200.00	MSM400	MSE1600	685.80	146	324	344
				473223	852701	42354		24.250	4.563	7.874		27.000	5.7	12.8	13.5	
420	17	MSM420	MSE1700	2324	4164	202.00	400	647.70	119.10	200.00	MSM420	MSE1700	717.60	146	350	-
				522456	936105	45411		25.500	4.689	7.874		28.252	5.7	13.8	-	
440	18	MSM440	MSE1800	2215	4183	216.00	380	666.75	115.90	200.00	MSM440	MSE1800	733.40	146	350	-
				497952	940376	48559		26.250	4.563	7.874			28.874	5.7	13.8	-
460	18	MSM460	MSE1800	2445	4594	230.00	360	698.50	119.10	223.00	MSM480	MSE1900	762.00	146	368	-
				549658	1032773	51706		27.500	4.689	8.780			30.000	5.7	14.5	-
500	20	MSM500	MSE2000	2320	4571	244.00	340	717.55	115.90	226.00	MSM500	MSE2000	787.40	146	368	-
				521557	1027602	54853		28.250	4.563	8.898			31.000	5.7	14.5	-
530	21	MSM530	MSE2100	2556	5028	258.00	330	762.00	119.10	229.00	MSM530	MSE2100	831.90	150	368	-
				574612	1130340	58001		30.000	4.689	9.016			32.752	5.9	14.5	-
560	22	MSM560	MSE2200	2683	5436	272.00	310	793.75	122.20	233.00	MSM560	MSE2200	866.80	152	374	-
				603163	1222062	61148		31.250	4.811	9.173			34.126	6.0	14.7	-
580	23	MSM580	MSE2300	2740	5601	286.00	300	812.80	119.10	232.00	MSM580	MSE2300	883.00	152	374	-
				615977	1259155	64295		32.000	4.689	9.134			34.764	6.0	14.7	-
600	24	MSM600	MSE2400	2770	5637	300.00	290	838.20	119.10	214.00	MSM600	MSE2400	914.40	152	388	-
				622721	1267248	67443		33.000	4.689	8.425			36.000	6.0	15.3	-

Medium Support S41 - S50



S41- S50

mm	Shaft (d) inch	Support Reference	H	H ₁	H ₂	J x K	L x M	Bolts
380	15	S41	464 18.268	67 2.6	925 36.4	886 & 682 x 280 34.9 & 26.9 x 11	1092 x 368 43 x 14.5	8 x M36
400	16	S42	495 19.488	70 2.8	990 39.0	934 & 730 x 280 36.8 & 28.7 x 11	1168 x 368 46 x 14.5	8 x M36
420	17	S43	514 20.236	70 2.8	1030 40.6	972 & 768 x 280 38.3 & 30.2 x 11	1194 x 368 47 x 14.5	8 x M36
440 460	18	S44	533 20.984	73 2.9	1070 42.1	996 & 788 x 280 39.2 & 31 x 11	1244 x 368 49 x 14.5	8 x M36
480	19	S45	552 21.732	76 3.0	1110 43.7	1042 & 812 x 280 41 & 32 x 11	1270 x 368 50 x 14.5	8 x M36
500	20	S46	572 22.520	80 3.1	1145 45.1	1074 & 844 x 280 42.3 & 33.2 x 11	1296 x 368 51 x 14.5	8 x M36
530	21	S47	594 23.386	83 3.3	1180 46.5	1118 & 890 x 280 44 & 35 x 11	1398 x 368 55 x 14.5	8 x M36
560	22	S48	616 24.252	86 3.4	1230 48.4	1158 & 930 x 280 45.6 & 36.6 x 11	1422 x 382 56 x 15	8 x M42
580	23	S49	635 25.000	89 3.5	1270 50.0	1187 & 959 x 280 46.7 & 37.8 x 11	1448 x 382 57 x 15	8 x M42
600	24	S50	673 26.496	92 3.6	1345 53.0	1238 & 1010 x 280 48.7 & 39.8 x 11	1524 x 382 60 x 15	8 x M42