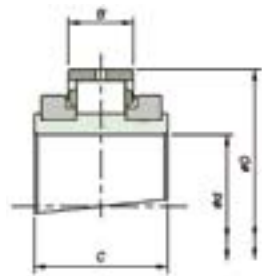
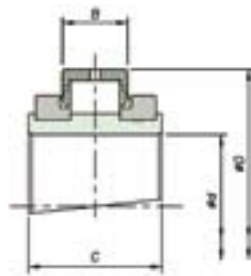


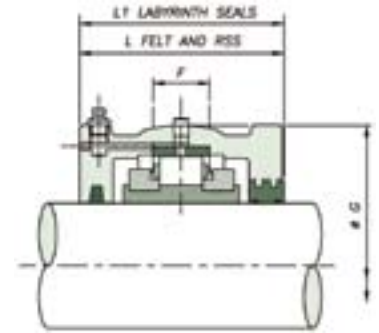
# Medium Bearing & Housing 50mm to 150mm



Expansion BX

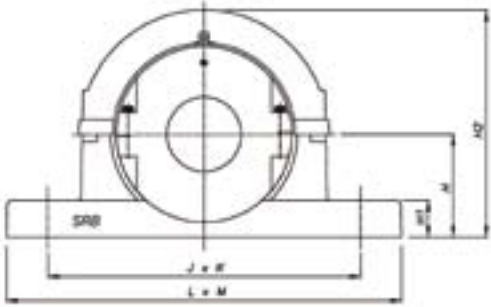


Retained BR



Shaft (d)		Reference		Bearings Ratings							Housing Reference					
mm	inch	Add BR for retained Add BX for expansion e.g. MSM55BR		Dynamic C <sub>r</sub> (kN/lb)	Static C <sub>0r</sub> (kN/lb)	Axial C <sub>a</sub> (kN/lb)	Max RPM	D	B	C	Add HR for retained Add HX for expansion e.g. MSM55HR	G	F	L	L <sub>1</sub>	
45	1 11/16	MSM45	MSE111								MSE111					
	13/4		MSE112	121	127	6.20	4350	107.95	35.00	67.50	MSM45	MSE112	134.94	32	112	114
50	1 15/16	MSM50	MSE115	27202	28551	1394		4.250	1.378	2.657	MSM50	MSE115	5.313	1.3	4.4	4.5
	2		MSE200									MSE200				
55	23/16	MSM55	MSE203								MSM55	MSE203				
60	2 1/4	MSM60	MSE204	168	190	8.80	3680	127.00	38.90	72.30	MSM60	MSE204	157.16	38	124	126
65	2 7/16	MSM65	MSE207	37768	42714	1978		5.000	1.531	2.846	MSM65	MSE207	6.187	1.5	4.9	5.0
	2 1/2		MSE208									MSE208				
70	2 11/16		MSE211									MSE211				
	2 3/4	MSM70	MSE212	258	300	10.60	3080	149.22	46.10	82.60	MSM70	MSE212	177.80	50	138	140
75	2 15/16	MSM75	MSE215	58001	67443	2383		5.875	1.815	3.252	MSM75	MSE215	7.000	2.0	5.4	5.5
	3		MSE300									MSE300				
80	33/16	MSM80	MSE303								MSM80	MSE303				
85	3 1/4	MSM85	MSE304	297	353	17.80	2520	169.86	48.40	89.70	MSM85	MSE304	203.20	50	152	154
90	3 7/16	MSM90	MSE307	66768	79358	4002		6.687	1.906	3.531	MSM90	MSE307	8.000	2.0	6.0	6.1
	3 1/2		MSE308									MSE308				
100	3 11/16		MSE311									MSE311				
	3 3/4	MSM100	MSE312	388	491	25.00	2130	193.68	51.60	92.10	MSM100	MSE312	231.78	64	144	146
105	3 15/16	MSM105	MSE315	87226	110381	5620		7.625	2.031	3.626	MSM105	MSE315	9.125	2.5	5.7	5.7
	4		MSE400									MSE400				
110	43/16	MSM110	MSE403								MSM110	MSE403				
	4 1/4		MSE404	454	592	31.20	1820	228.60	57.20	100.00	MSM110	MSE404	266.70	76	160	162
115	4 7/16	MSM115	MSE407	102063	133087	7014		9.000	2.252	3.937	MSM115	MSE407	10.500	3.0	6.3	6.4
	4 1/2		MSE408									MSE408				
120	4 11/16	MSM120	MSE411								MSM120	MSE411				
	4 3/4		MSE412	525	700	38.20	1600	254.00	63.50	114.30	MSM120	MSE412	295.28	82	182	184
125	4 15/16	MSM125	MSE415	118025	157366	8588		10.000	2.500	4.500	MSM125	MSE415	11.625	3.2	7.2	7.2
130	5	MSM130	MSE500								MSM130	MSE500				
135	53/16	MSM135	MSE503								MSM135	MSE503				
	5 1/4		MSE504	600	817	45.40	1450	273.05	66.70	117.50	MSM135	MSE504	323.85	90	186	188
140	5 7/16	MSM140	MSE507	134885	183669	10206		10.750	2.626	4.626	MSM140	MSE507	12.750	3.5	7.3	7.4
	5 1/2		MSE508									MSE508				
150	5 11/16	MSM150	MSE511								MSM150	MSE511				
	5 3/4		MSE512	730	1034	52.40	1320	292.10	68.30	123.80	MSM150	MSE512	336.55	95	202	204
155	5 15/16	MSM155	MSE515	164111	232453	11780		11.500	2.689	4.874	MSM155	MSE515	13.250	3.7	8.0	8.0
160A	6	MSM160A	MSE600								MSM160A	MSE600				

# Medium Support S03 - S31



## S03 - S31

Shaft (d)		Support Reference	H	H <sub>1</sub>	H <sub>2</sub>	J x K	L x M	Bolts
mm	inch							
45	111/16	S03	80	32	180	234	280 x 70	2 x M16
50	13/4 115/16 2		3.150	1.3	7.1	9.2	11 x 2.8	
55	23/16	S04	95	38	208	270	330 x 76	2 x M20
60	21/4 27/16		3.740	1.5	8.2	10.6	13 x 3	
65	21/2							
70	211/16	S05	112	44	252	320	380 x 90	2 x M24
75	23/4 215/16 3		4.409	1.7	9.9	12.6	15 x 3.5	
80	33/16	S06	125	52	272	354	420 x 102	2 x M24
85	31/4 37/16		4.921	2.0	10.7	13.9	16.5 x 4	
90	31/2							
100	311/16	S07	143	60	314	392	466 x 120	2 x M24
105	33/4 315/16 4		5.630	2.4	12.4	15.4	18.3 x 4.7	
110	43/16	S08	162	38	372	450 x 120	508 x 178	4 x M24
115	41/4 47/16 41/2		6.378	1.5	14.6	17.7 x 4.7	20 x 7	
120	411/16	S10	181	40	415	496 x 120	558 x 178	4 x M24
125	43/4 415/16		7.126	1.6	16.3	19.5 x 4.7	22 x 7	
130	5							
135	53/16	S30	203	50	460	546 x 120	610 x 178	4 x M24
140	51/4 57/16 51/2		7.992	2.0	18.1	21.5 x 4.7	24 x 7	
150	511/16	S31	210	50	470	558 x 128	636 x 204	4 x M24
155	53/4 515/16		8.268	2.0	18.5	22 x 5	25 x 8	
160A	6							