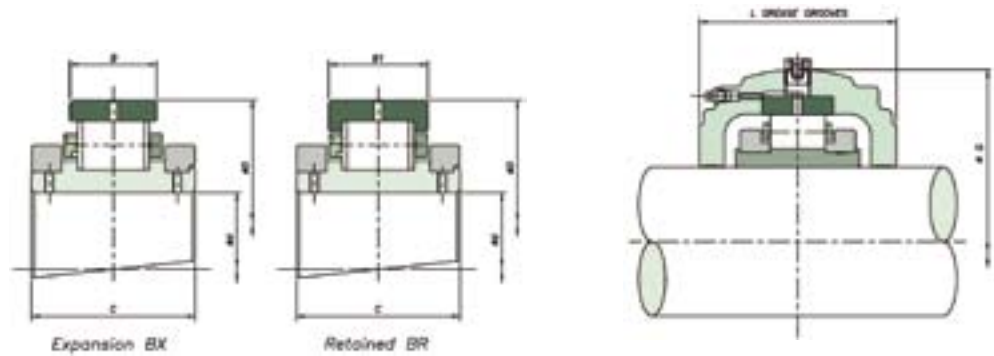
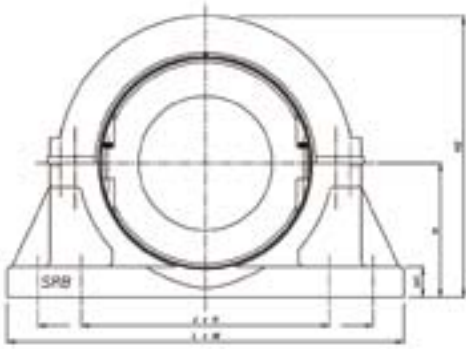


# Heavy Bearing & Housing 280mm to 600mm



Shaft (d)		Reference		Bearings Ratings						Housing Reference						
mm	inch	Add BR for retained Add BX for expansion e.g. HSM280BR		Dynamic C <sub>r</sub> (kN/lb)	Static C <sub>0r</sub> (kN/lb)	Axial C <sub>a</sub> (kN/lb)	Max RPM	D	B	C	Add HR for retained Add HX for expansion e.g. HSM280HR		G	F	L	L <sub>1</sub>
280	11	HSM280	HSE1100	1936	3115	153.00	620	495.30	139.70	244.00	HSM280	HSE1100	571.50	165	356	356
				435230	700280	34396		19.500	5.500	9.606			22.500	6.5	14.0	14.0
300	12	HSM300	HSE1200	2114	3194	174.40	560	558.80	139.70	244.00	HSM300	HSE1108	641.40	165	346	370
				475246	718040	39207		22.000	5.500	9.606			HSM305	HSE1200	25.252	6.5
320	13	HSM320	HSE1300	2718	4093	198.80	500	622.30	160.40	272.00	HSM320	HSE1208	717.60	170	368	412
				611031	920143	44692		24.500	6.315	10.709			HSM330	HSE1300	28.252	6.7
340	14	HSM340	HSE1400	2686	4421	213.60	460	615.95	158.00	279.00	HSM340	HSE1400	704.90	196	432	426
					603837	993881		48019	24.250	6.220			10.984	HSM350		27.752
380	15	HSM380	HSE1500	3195	5238	250.80	420	685.80	166.70	292.00	HSM380	HSE1500	774.70	202	400	432
400	16	HSM400	HSE1600	718265	1177550	56382		27.000	6.563	11.496			HSM400	HSE1600	30.500	8.0
420	17	HSM420	HSE1700	3187	5813	275.80	360	700.00	160.00	284.00	HSM420	HSE1700	788.00	200	440	436
					716466	1306815		62002	27.559	6.299			11.181	31.024	7.9	17.3
460	18	HSM460	HSE1800	3501	6091	302.40	340	740.00	170.00	294.00	HSM440	HSE1800	840.00	200	450	444
					787056	1369312		67982	29.134	6.693			11.575	33.071	7.9	17.7
500	20	HSM500	HSE2000	4324	7603	347.00	310	850.90	187.40	300.00	HSM500	HSE2000	958.90	204	495	502
530	21	HSM530	HSE2100	972074	1709223	78009		33.500	7.378	11.811			HSM530	HSE2100	37.752	8.0
560	22	HSM560	HSE2200	4448	8781	382.60	280	863.60	196.90	310.00	HSM560	HSE2200	958.90	204	490	484
					999950	1974048		86012	34.000	7.752			12.205	37.752	8.0	19.3
580	23	HSM580	HSE2300	4443	8918	400	270	890.00	184.00	310.00	HSM580	HSE2300	990.00	204	490	484
600	24	HSM600	HSE2400	998826	2004847	89924		35.039	7.244	12.205			HSM600	HSE2400	38.976	8.0

# Heavy Support S83 - S95



## S83 - S95

Shaft (d)		Support Reference	H	H <sub>1</sub>	H <sub>2</sub>	J x K	L x M	Bolts
mm	inch							
280	11	S83	368 14.488	70 2.8	785 30.9	742 & 502 x 178 29.2 & 19.8 x 7	940 x 280 37 x 11	8 x M36
300	12	S65	457 17.992	76 3.0	915 36.0	876 & 674 x 330 34.5 & 26.5 x 13	1092 x 420 43 x 16.5	8 x M36
320	13	S66	518 20.394	80 3.1	1035 40.7	978 & 762 x 266 38.5 & 30 x 10.5	1194 x 356 47 x 14	8 x M36
340	14	S86	470	82	1000	928 & 660 x 190	1220 x 318	8 x M42
360			18.504	3.2	39.4	36.5 & 26 x 7.5	48 x 12.5	
380	15	S68	559	92	1120	1036 & 806 x 292	1270 x 394	8 x M42
400	16		22.008	3.6	44.1	40.8 & 31.7 x 11.5	50 x 15.5	
420	17	S89	508	90	1075	990 & 690 x 210	1270 x 360	8 x M48
440			20.000	3.5	42.3	39 & 27.2 x 8.3	50 x 14.2	
460	18	S90	550 21.654	95 3.7	1165 45.9	1080 & 780 x 220 42.5 & 30.7 x 8.7	1370 x 380 53.9 x 15	8 x M48
500	20	S94	622	102	1340	1270 & 940 x 242	1600 x 406	8 x M56
530	21		24.488	4.0	52.8	50 & 37 x 9.5	63 x 16	
560	22	S94	622 24.488	102 4.0	1340 52.8	1270 & 940 x 242 50 & 37 x 9.5	1600 x 406 63 x 16	8 x M56
580	23	S95	622	102	1340	1270 & 940 x 242	1600 x 406	8 x M56
600	24		24.488	4.0	52.8	50 & 37 x 9.5	63 x 16	